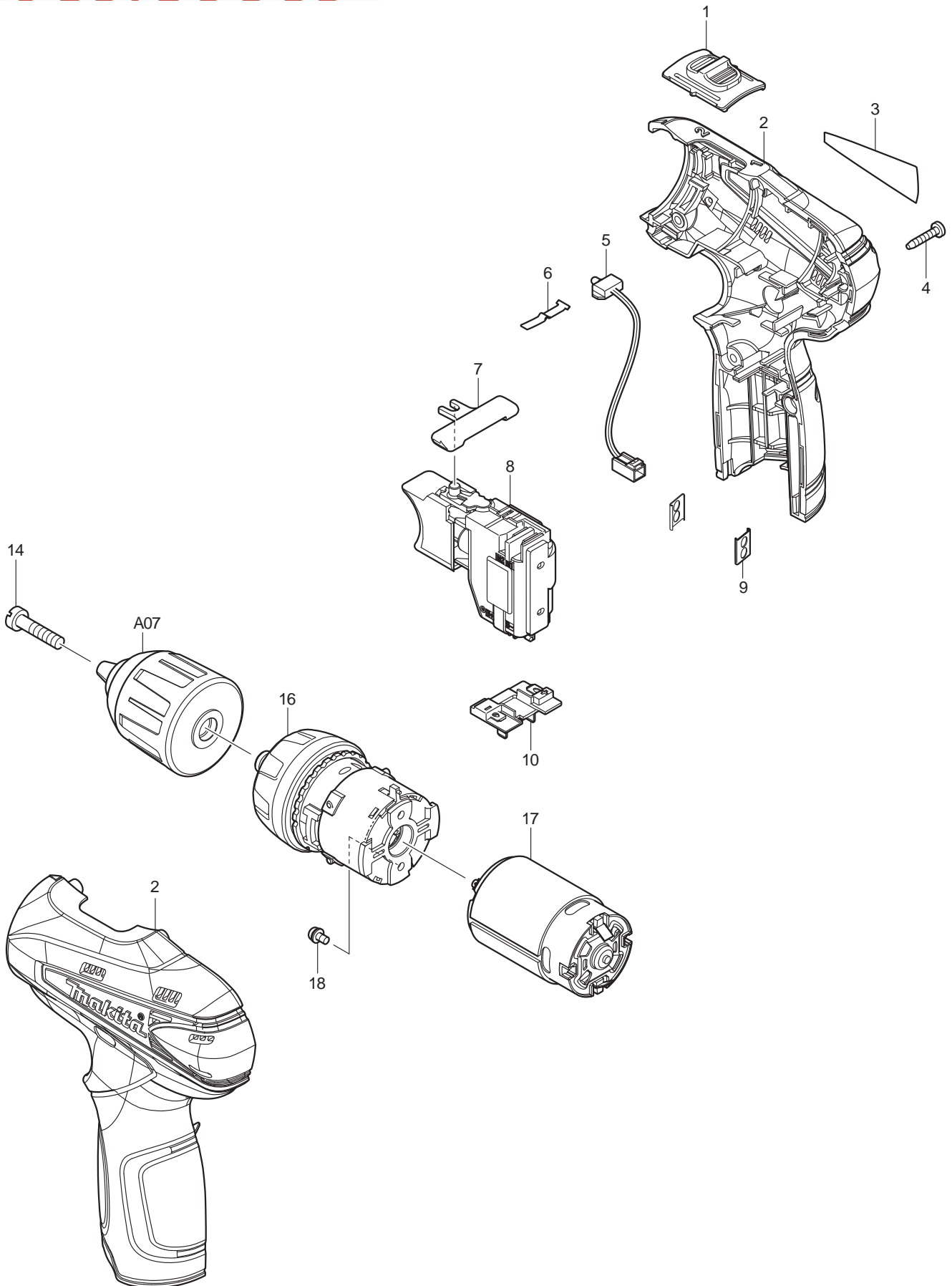




11 - 2010
FD02 / FD02Z
12V 3/8" DRIVER DRILL KIT



Item No	Type	Ref	Part No	Description	Qty	Unit
001	2		126233-0	SPEED CHANGE LEVER ASSEMBLY	1	PC.
		INC.	231433-0	COMPRESSION SPRING 4	2	PC.
002	1		188498-2	* HOUSING SET, BLUE	1	SET
	2		187147-8	* HOUSING SET, BLUE	1	SET
	3		187359-3	* HOUSING SET, BLUE	1	SET
003			868898-9	NAME PLATE, FD02	1	PC.
004			266130-9	TAPPING SCREW BIND PT 3X16	6	PC.
005			631813-4	* LED CIRCUIT (OLD)	1	PC.
006			232239-9	LEAF SPRING	1	PC.
007			450504-6	F/R CHANGE LEVER	1	PC.
008	1		650599-1	* SWITCH C3HY-1A-LM	1	PC.
	2		650645-0	* SWITCH C3HY-1A-LF1M	1	PC.
	3		650699-7	* FUNCTION	1	PC.
009			345998-7	SET PLATE	2	PC.
010			643830-2	TERMINAL	1	PC.
014			251451-2	- PAN HEAD SCREW M5X22	1	PC.
016	1		125539-3	GEAR ASS'Y	1	PC.
	2		123503-8	GEAR ASS'Y	1	PC.
	3		127099-1	GEAR ASS'Y	1	PC.
017			629853-4	DC MOTOR	1	PC.
018			911003-8	PAN HEAD SCREW M3X6	2	PC.
019			892067-0	CAUTION LABEL, FR	1	PC.
<u>ACCESSORIES</u>				- See Catalogue or visit www.makita.ca for more accessorie information -		
A01			168467-9	HOLSTER	1	PC.
A02			DC10WB	CHARGER DC10WB F/LI-ION 7.2, 10.8, 12V	1	PC.
A03			195332-9	12V MAX LI-ION BATTERY BL1014	2	PC.
A04			784244-7	+ BIT 2-50	1	PC.
A05			824781-0	PLASTIC CASE F/Storing small Accessory(ies)	1	PC.
A06			831325-9	TOOL BAG	1	PC.
A06	1		824842-6	PLASTIC CARRYING CASE	1	PC.
		INC.	417724-5	LATCH	2	PC.
	2		141104-0	PLASTIC CARRYING CASE	1	PC.
		INC.	417724-5	LATCH	2	PC.
A07	2		196308-9	3/8" KEYLESS DRILL CHUCK BULK, PKG	1	PC.
	3		763228-8	3/8" KEYLESS DRILL CHUCK	1	PC.

SERVICE CHANGES

1. Changes on Switch

(T/I# 90876)

(T/I# 96587)

Item No.	Description	Type 1	Type 2	Type 3
5	LED CIRCUIT	631813-4		-----
8	SWITCH	650599-1	650645-0	650699-7 (W/Battery Protection)

Above parts are completely interchangeable as a set.

NOTE:

For the model manufactured on or after October 2012 using the switch with the number 6506997, be sure to use the Type 3 switch (650699-7) to repair the tool.

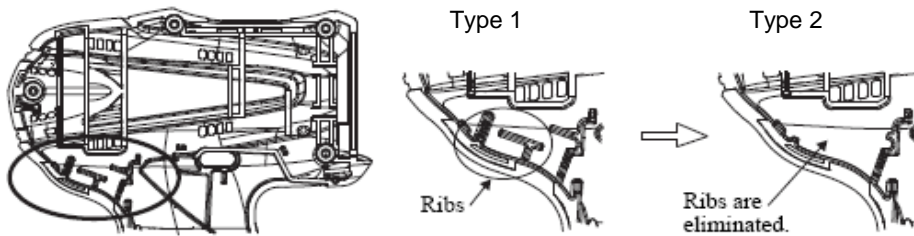
For the model manufactured before October 2012 using the switch with the number 6506450, be sure to use the current switch (650645-0) to repair the tool.

2. Changes on Housing Set

(T/I#91765)

(T/I#94907)

Item No.	Description	Type 1	Type 2	Type 3
2	Housing Set	188498-2	187147-8	187359-3



NOTE:

For the models manufactured with Type1 (before May 2011), use Type 1 Housing set to fix Connector to the inside of ribs. For the models manufactured with Type2 or Type3 (after May 2011), use Type 2 or Type 3 Housing set.